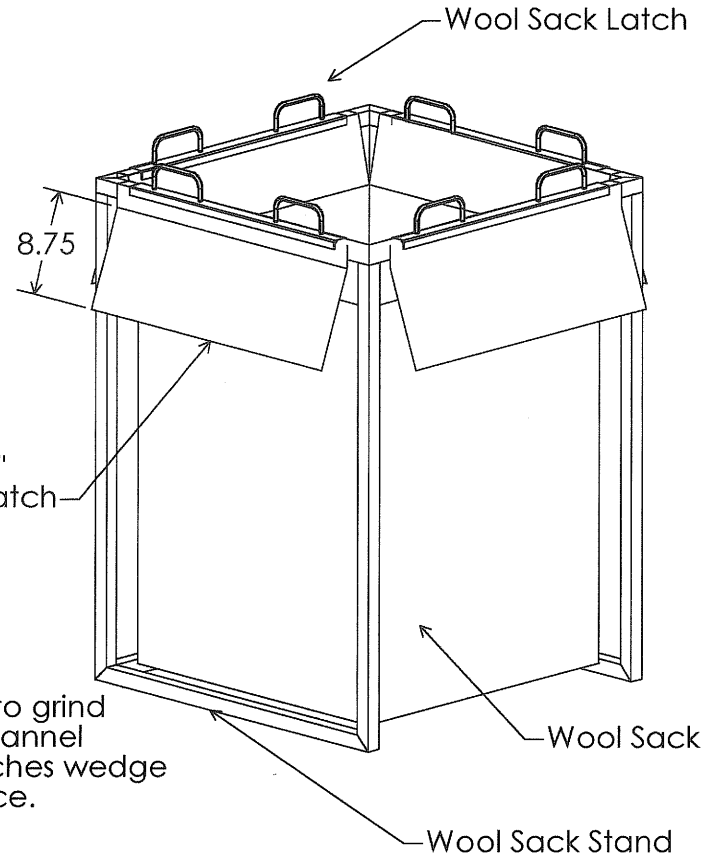
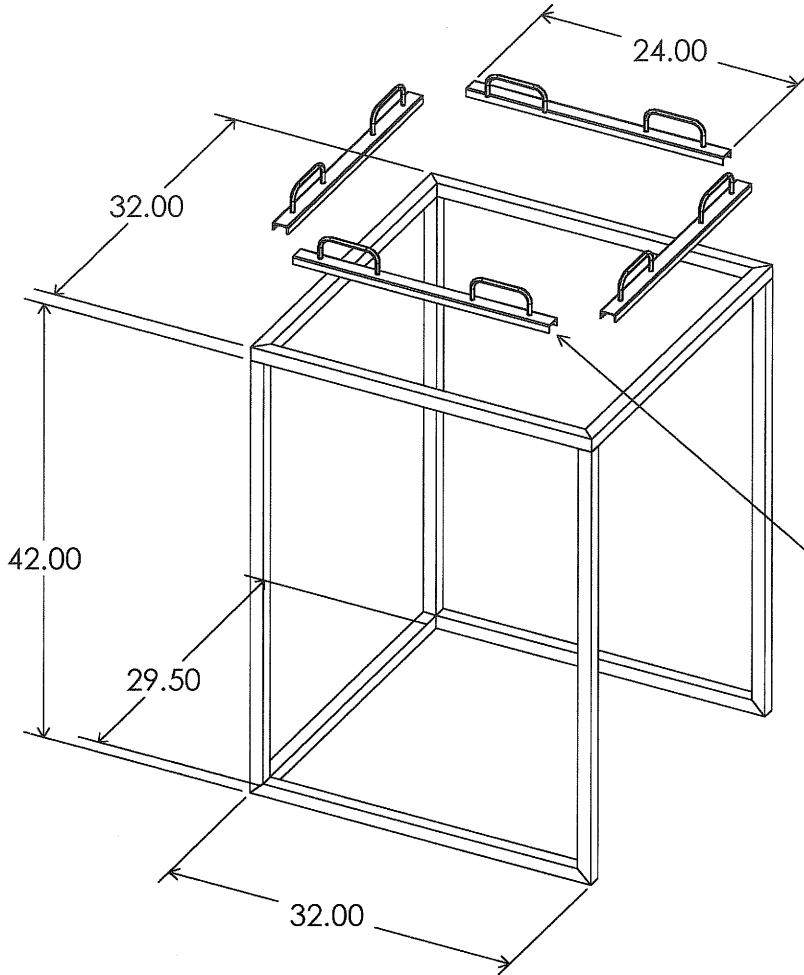


# Material List for Rectangular Wool Bag Stand

- Qty 6 1-1/4 x 1-1/4 x 0.083 Sq Tubing 32" Long
- Qty 4 1-1/4 x 1-1/4 x 0.083 Sq Tubing 42" Long
- Qty 1 1-1/4 x 1-1/4 x 0.083 Sq Tubing 29.5" Long
- Qty 8 3/8" Rod 9" Long
- Qty 4 1-1/2x3/4x1/8 Channel Iron 24" Long



Leave 8 to 10" flap outside latch

May need to grind inside of channel so sack latches wedge sack in place.

Total Wt 55 Lb

Note:  
 The 32" pieces have 45 deg angle on both ends.  
 The 42" pieces have a 45 deg angle on one end.  
 Bend the 3/8" rod 90 deg, 2" from each end to make handle.

UNLESS OTHERWISE SPECIFIED DIMENSIONS ARE IN INCHES			CAD GENERATED DRAWING, DO NOT MANUALLY UPDATE		
TOLERANCES ARE:			APPROVALS	DATE	
FRACTIONS	DECIMALS	ANGLES	DRAWN	TY	3/19/98
+1/16	.XX + .06	+1	CHECKED	TY	3/19/98
	.XXX + .03		RESP ENG	TY	3/19/98
MATERIAL			Carbon Steel		
FINISH			Customers Choice		
DO NOT SCALE DRAWING					

Rectangular Wool Sack Stand		REV. NW
SIZE A	DWG. NO. 0001	REV. NW
SCALE	CAD FILE:	SHEET 1 OF 1